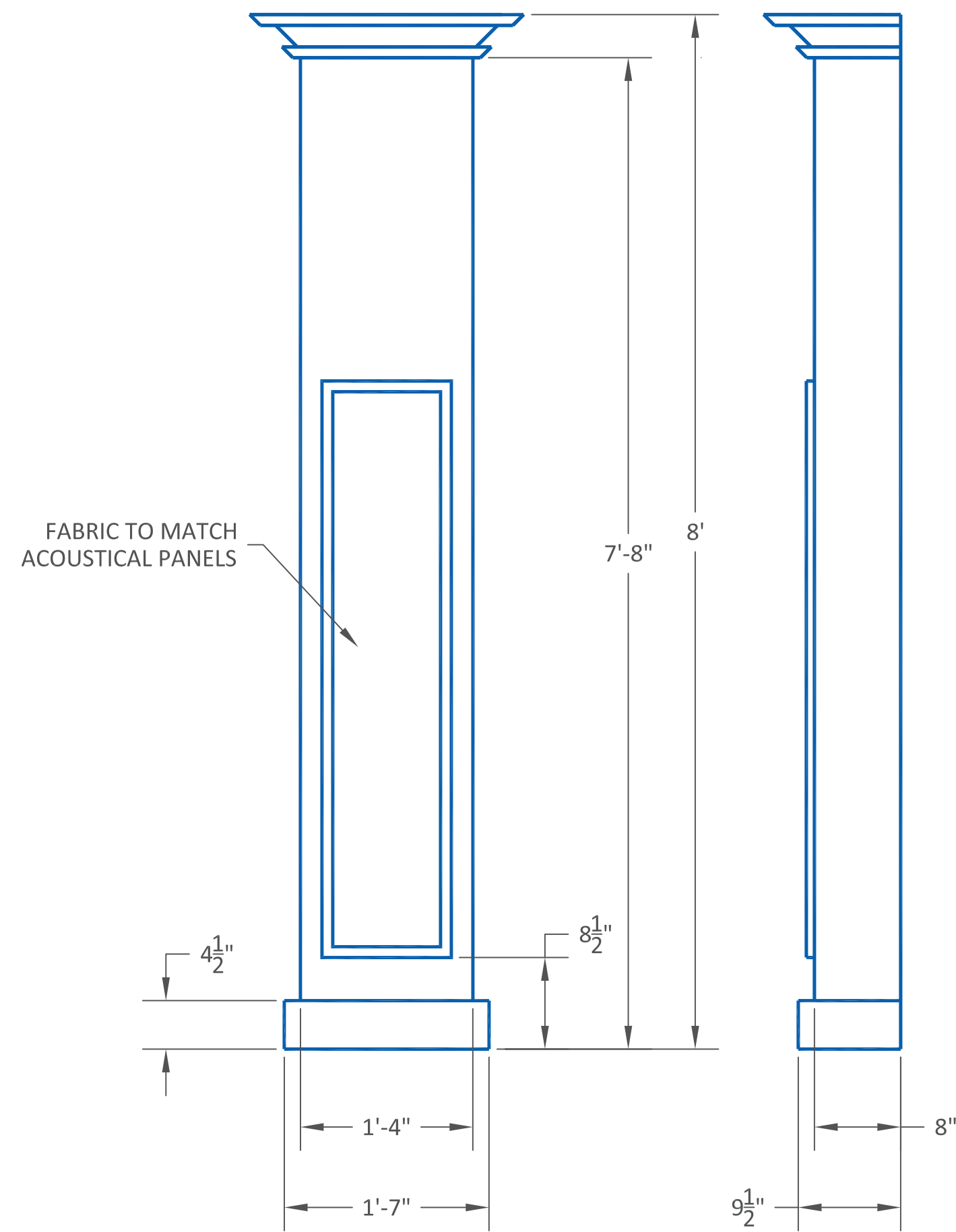


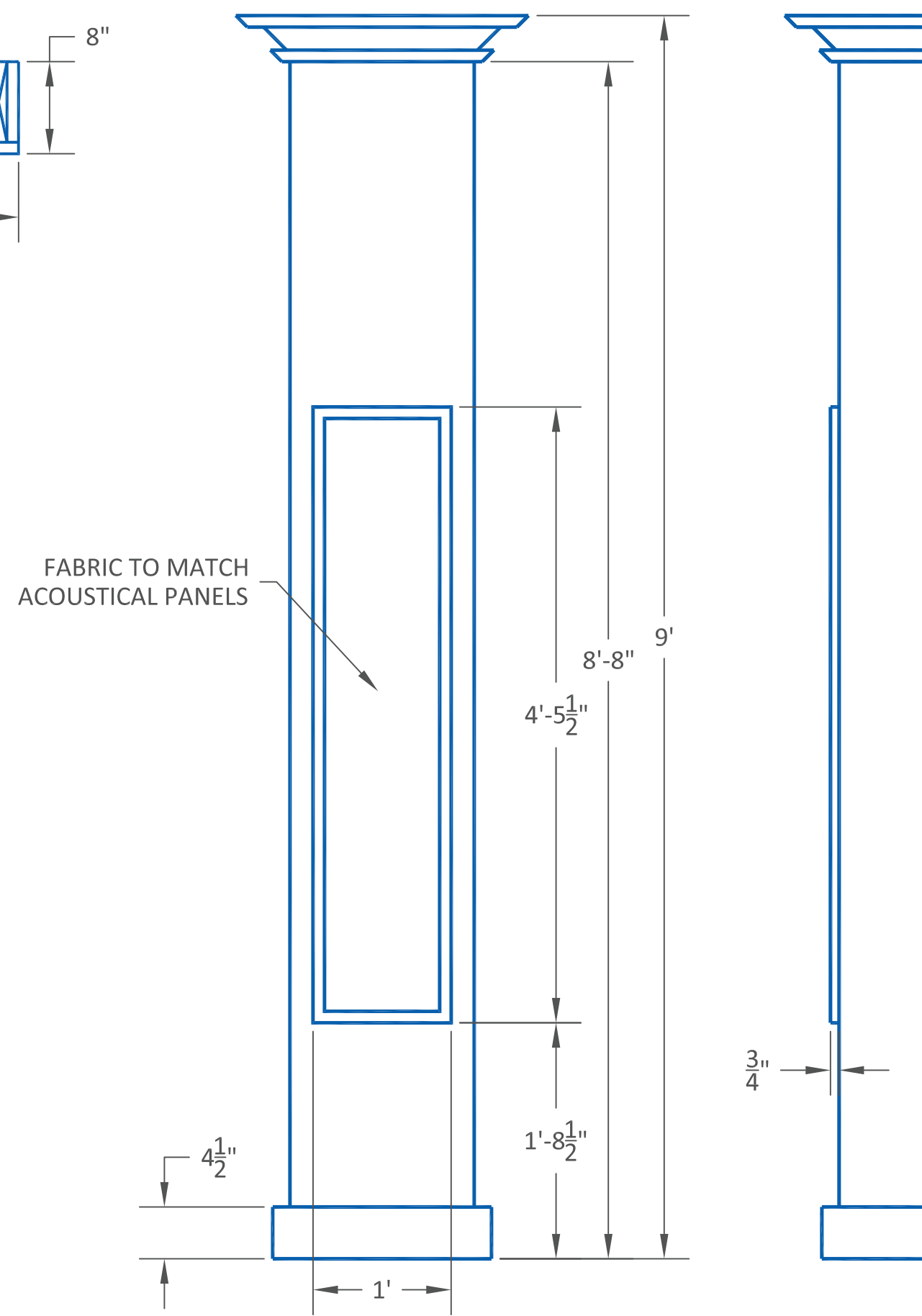
**COLUMN #1**  
4 LOCATIONS



WOOD PANELING  
VERIFY WITH INTERIOR DESIGNER

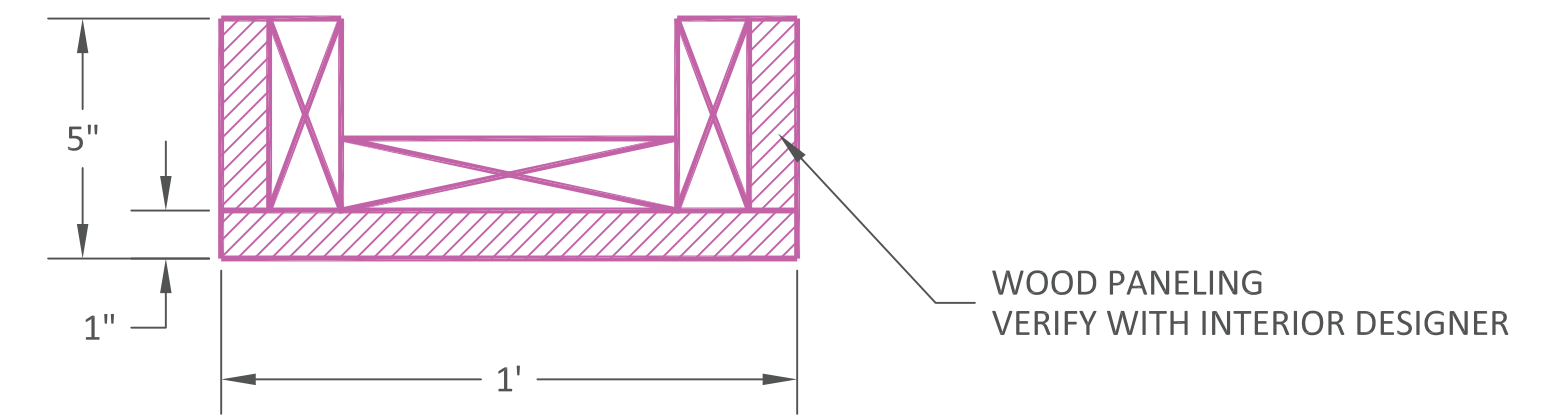
FABRIC TO MATCH  
ACOUSTICAL PANELS

**COLUMN #2**  
4 LOCATIONS



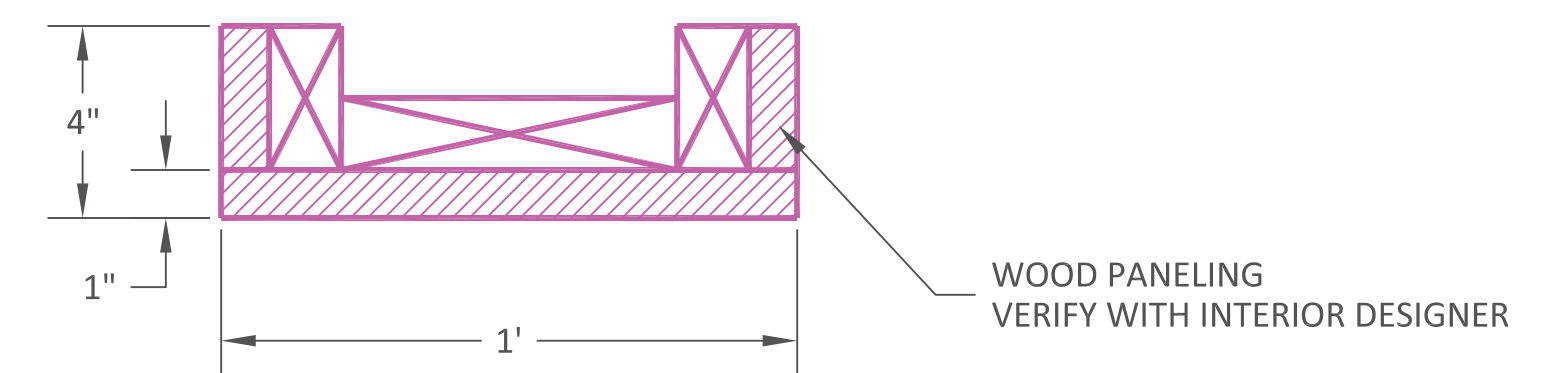
FABRIC TO MATCH  
ACOUSTICAL PANELS

**CEILING BEAM #1**  
5 LOCATIONS

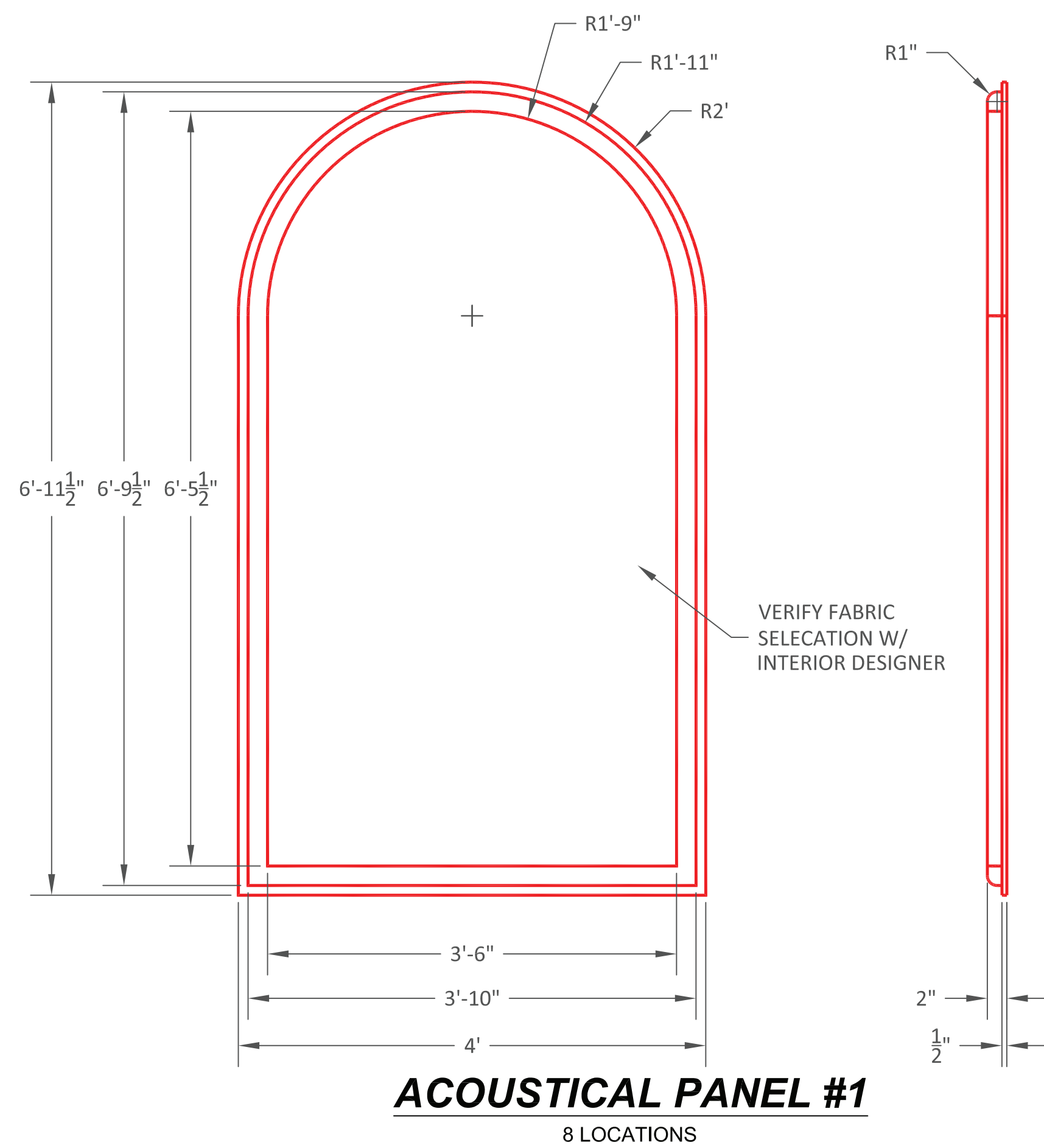


WOOD PANELING  
VERIFY WITH INTERIOR DESIGNER

**CEILING BEAM #2**  
3 LOCATIONS

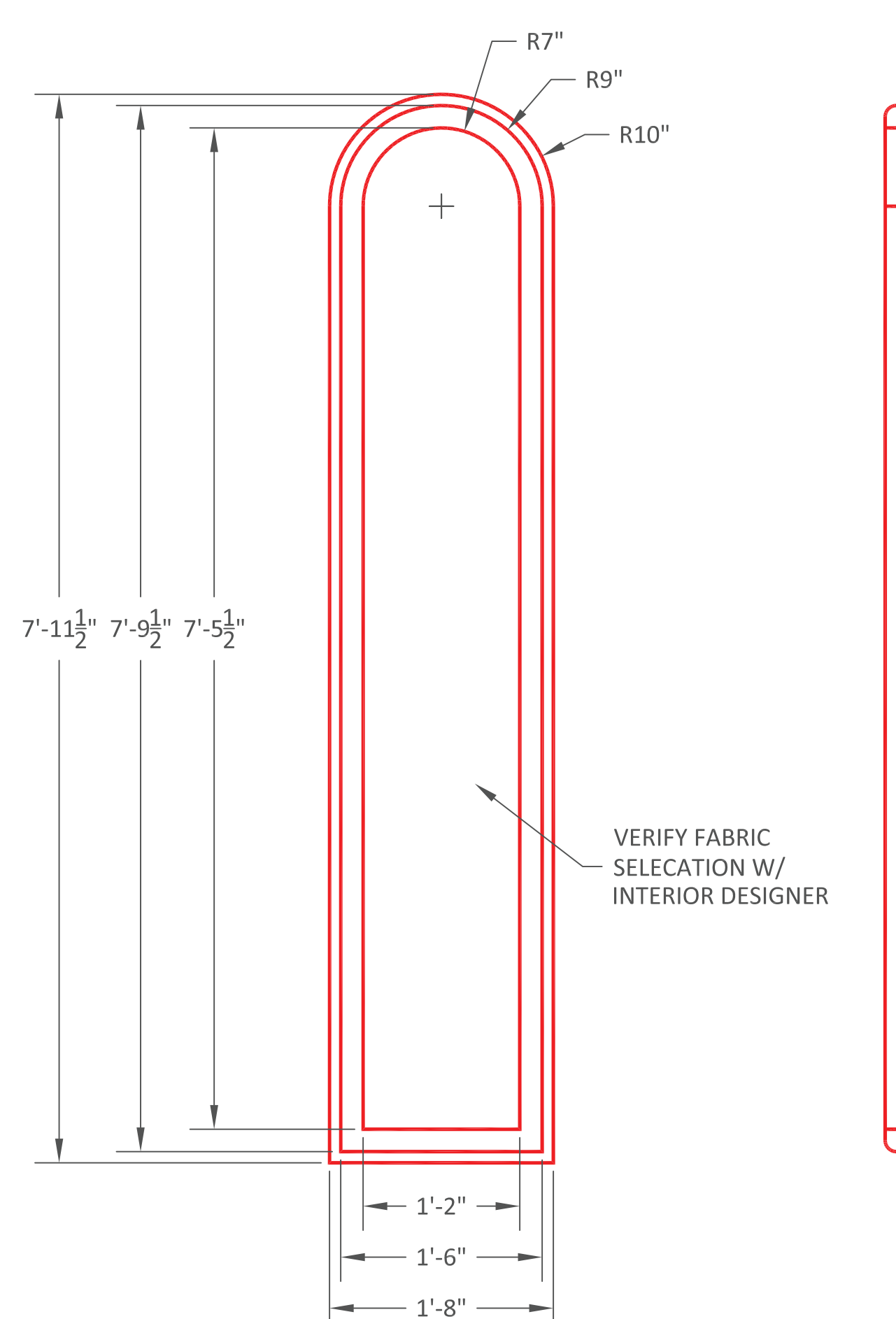


WOOD PANELING  
VERIFY WITH INTERIOR DESIGNER



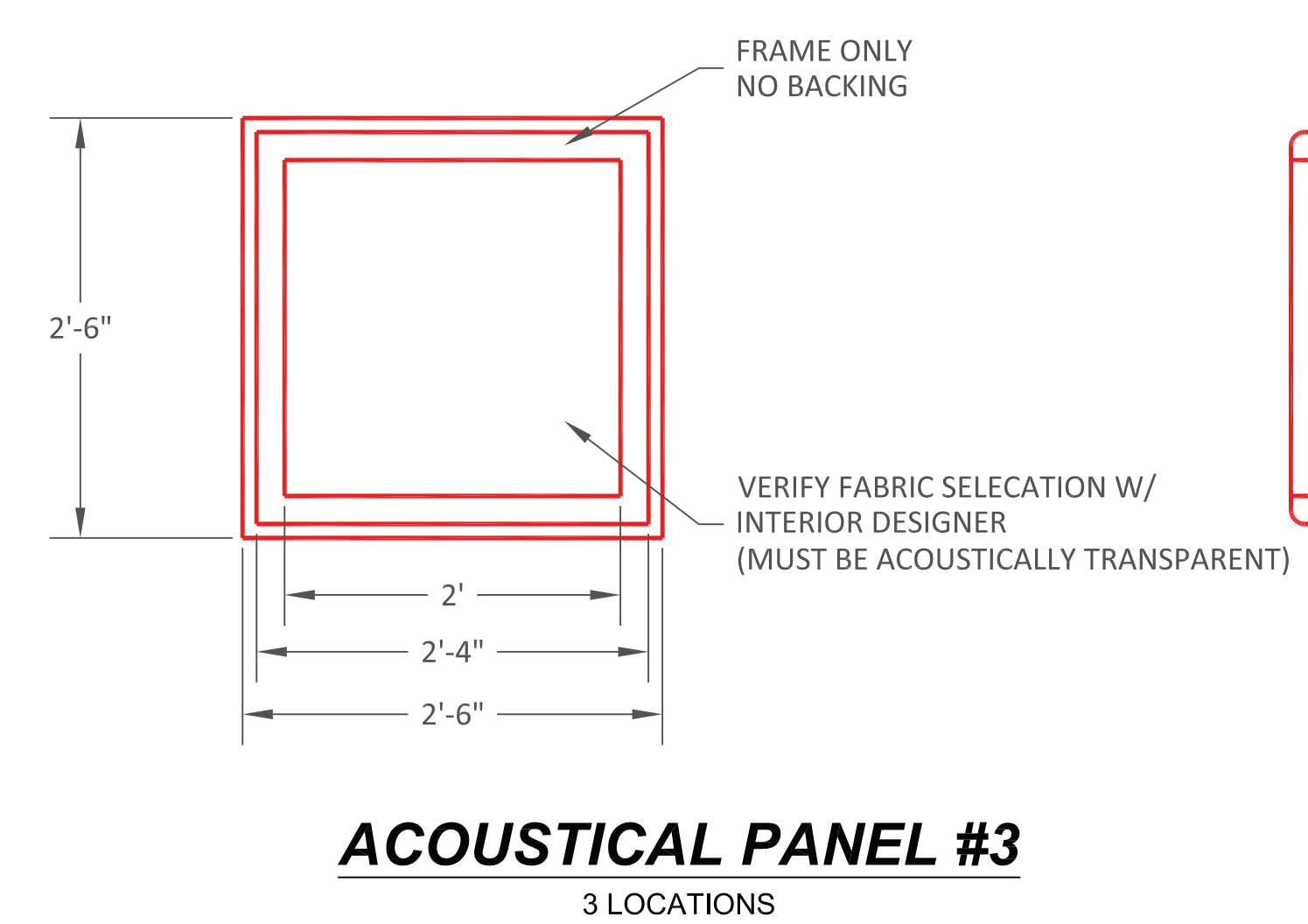
VERIFY FABRIC  
SELECTION W/  
INTERIOR DESIGNER

**ACOUSTICAL PANEL #1**  
8 LOCATIONS



VERIFY FABRIC  
SELECTION W/  
INTERIOR DESIGNER

**ACOUSTICAL PANEL #2**  
2 LOCATIONS



FRAME ONLY  
NO BACKING

VERIFY FABRIC SELECTION W/  
INTERIOR DESIGNER  
(MUST BE ACOUSTICALLY TRANSPARENT)

**ACOUSTICAL PANEL #3**  
3 LOCATIONS

- NOTES:**
- 01) ALL DIMENSIONS ARE FINISHED DIMENSIONS UNLESS NOTED OTHERWISE.
  - 02) BUILDER TO PROVIDE INSULATION BETWEEN ALL PERIMETER FRAMING AS WELL AS OPENINGS NOT USED FOR EQUIPMENT OR SPEAKERS BEHIND DRYWALL.
  - 03) BUILDER TO PROVIDE INSULATION UNDERNEATH THE SCREEN WALL STAGE AND SEATING STAGE.

**HOME THEATER integrators**  
Phone: 586-412-1170  
www.HomeTheaterIntegrators.com

The information, ideas & designs in this document incorporate the proprietary rights of Home Theater Integrators. Any party accepting this document does so in confidence & agrees that it shall not be duplicated in whole or in part, nor disclosed to others without the express written consent of Home Theater Integrators. This is an original design & must not be released or copied unless applicable fees have been paid or a job order/contract has been placed/signed. Field changes must be approved through the office of Home Theater Integrators prior to any actions being completed in the field.  
COPYRIGHT ©2008 Home Theater Integrators

**TAYLOR RESIDENCE  
THEATER TRIM DETAILS**

SYSTEM DESIGN BY: JOE TAME	
SYSTEM APPROVED BY: .	
SCALE: NTS	
DATES:	DATES:
CREATED: 08/09/2008	
MODIFIED: -	
PRINTED: 08/09/2008	
RELEASED: -	
SHEET NO. <b>TH-105.1</b>	